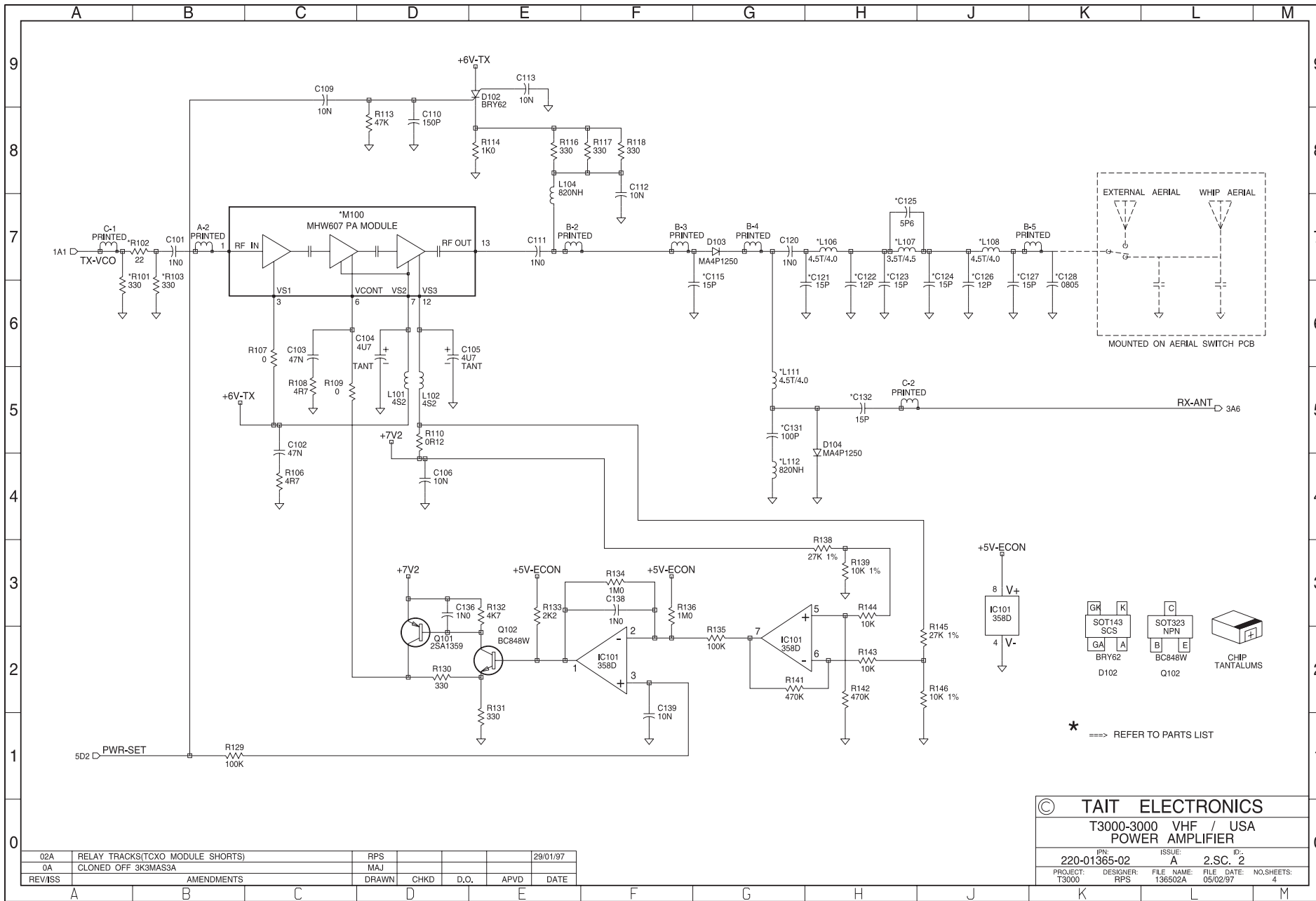


02A	RELAY TRACKS(TCXO MODULE SHORTS)	RPS			05/02/97
0A	CLONED OFF 3K3MAS3A	MAJ			
REV/ISS	AMENDMENTS	DRAWN	CHKD	D.O.	APVD DATE

© TAIT ELECTRONICS			
T3000-3000 VHF / USA SYNTHESISER			
IPN: 220-01365-02	ISSUE: A	ID: 2.SC.1	
PROJECT: T3000	DESIGNER: RPS	FILE NAME: 136502A	FILE DATE: 05/02/97 NO.SHEETS: 4



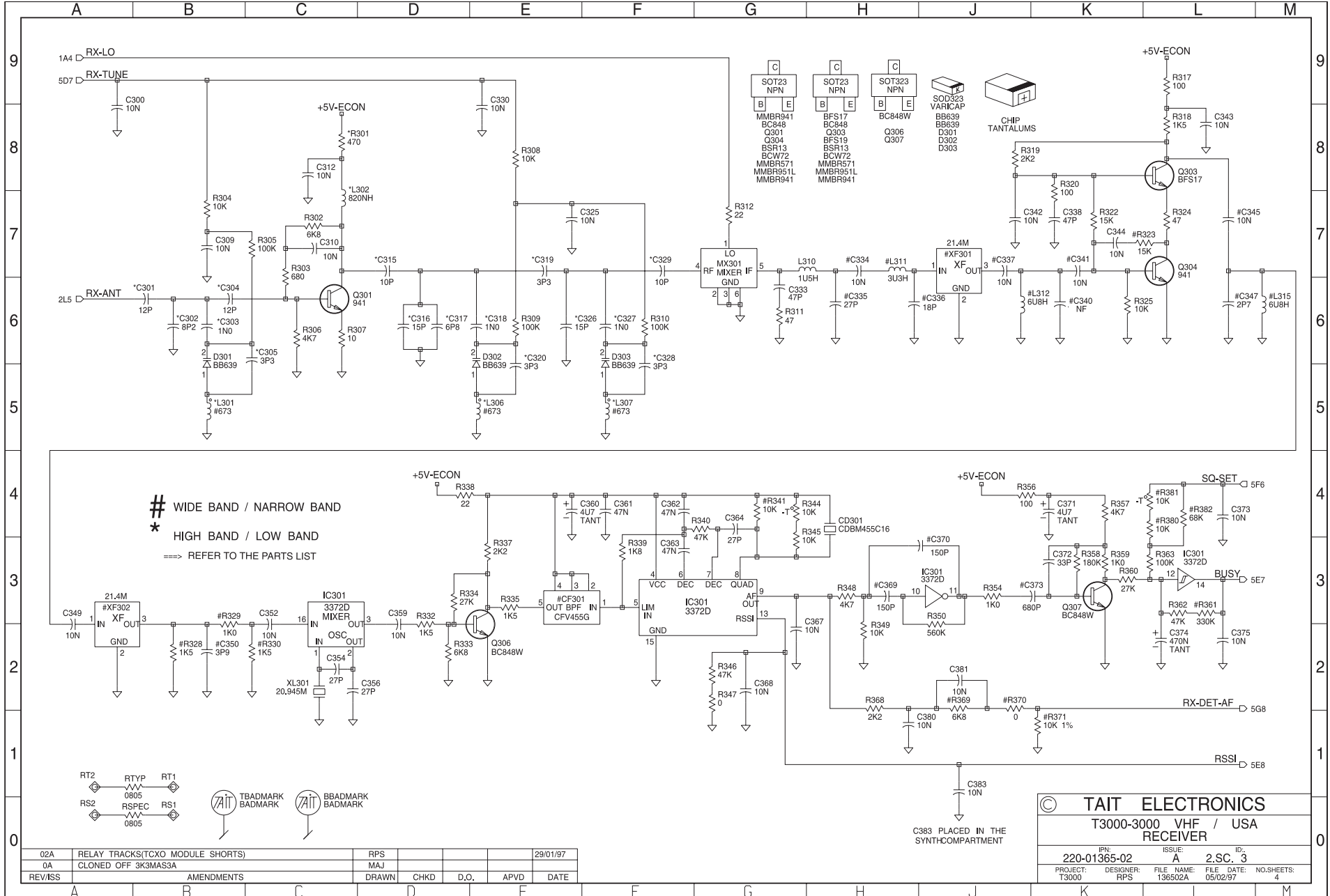


* ==> REFER TO PARTS LIST

© TAIT ELECTRONICS
 T3000-3000 VHF / USA
 POWER AMPLIFIER

PROJECT: T3000	DESIGNER: RPS	FILE NAME: 136502A	FILE DATE: 05/02/97	NO. SHEETS: 4
----------------	---------------	--------------------	---------------------	---------------

02A	RELAY TRACKS(TXCO MODULE SHORTS)	RPS				29/01/97
0A	CLONED OFF 3K3MAS3A	MAJ				
REVISS	AMENDMENTS	DRAWN	CHKD	D.O.	APVD	DATE



WIDE BAND / NARROW BAND
 * HIGH BAND / LOW BAND
 ==> REFER TO THE PARTS LIST



02A	RELAY TRACKS(TCXO MODULE SHORTS)	RPS			29/01/97
0A	CLONED OFF 3K3MASSA	MAJ			
REV/ISS	AMENDMENTS	DRAWN	CHKD	D.O.	APVD DATE

TAIT ELECTRONICS
 T3000-3000 VHF / USA RECEIVER

IPN: 220-01365-02 ISSUE: A ID: 2.S.C. 3
 PROJECT: T3000 DESIGNER: RPS FILE NAME: 138502A FILE DATE: 05/02/97 NO.SHEETS: 4

C383 PLACED IN THE SYNTHCOMPARTMENT

